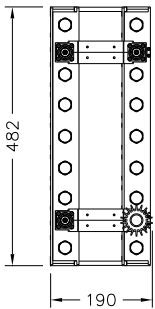
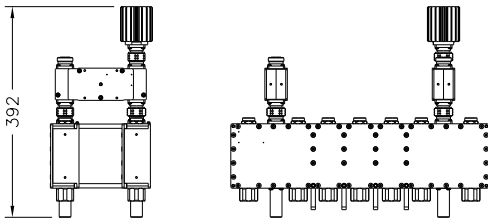
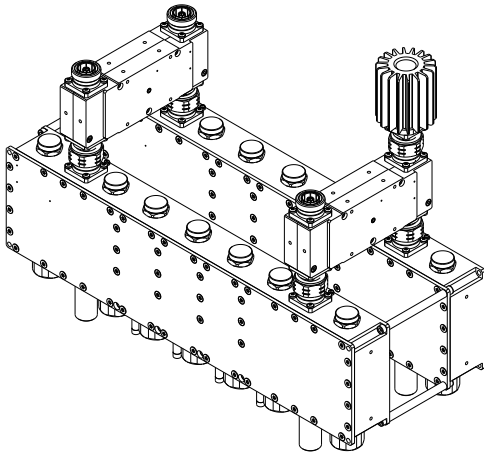


UHF 7-Pole 50 mm Balanced Combiner

DB7X50C



FEATURES

- *XLine*: Extracted-Pole Elliptical Response
- Adjacent Channel Combination
- Full Band Tunability
- Temperature Stabilization
- DC Short
- Interchangeable Connector System

OPTIONS

- 19" Rack Shelf ⁽⁷⁾
- Frame



SPECIFICATIONS

Code / Revision	B-DB7X50C / A
Order / Cavity Size	7-Pole <i>XLine</i> / 50 mm
Frequency Range / Bandwidth	470-862 MHz / 6-8 MHz
Temperature Stability	< 2 kHz/K
Max Operating Temperature (Body)	65°C (149°F)
Environmental Conditions	-5 to +55°C (+23 to +131°F), IP60
Dimensions / Weight ⁽¹⁾	190x482x392 mm / 11 kg (24 lb.)
Links	7/8" Matching Bridge
Connectors ⁽²⁾	3x 32 mm NB Input; WB Input; Output D-PC32C N Female D-PC32E 7-16 Female (Default) D-PC32G 7/8" FastLine Socket D-PC32H 7/8" FastLine Flange
Options ⁽²⁾	O-KC3.01 3U 19" Rack with Panel and Handles ⁽⁷⁾ O-RDB.02 30mm Encased frame

TUNING DATA ⁽²⁾	DVB-T/T2		ATSC 1.0/3.0		ISDB-T	
Tuning Code / Bandwidth	T-7X.06 / 8 MHz		T-7X.04 / 6 MHz		T-7X.05 / 6 MHz	
Max RMS NB Input Power ^(3,4)	(700 MHz) Default 550 W		(700 MHz) Default 520 W		(700 MHz) Default 450 W	
Max RMS Output Power ⁽³⁾	2.7 kW		2.7 kW		2.7 kW	
Max Peak Output Voltage ⁽³⁾	2.4 kV		2.4 kV		2.4 kV	
NB Insertion Loss ⁽⁴⁾	C.F.	(470 MHz) (700 MHz)	C.F.	(470 MHz) (700 MHz)	C.F.	(470 MHz) (700 MHz)
	< 0.81 dB	< 0.87 dB	< 0.96 dB	< 1.02 dB	< 1.09 dB	< 1.16 dB
	±3.8 MHz	< 2.59 dB < 2.77 dB	±2.7 MHz	< 1.38 dB < 1.47 dB	±2.79 MHz	< 2.19 dB < 2.34 dB
	±3.9 MHz	< 3.32 dB < 3.55 dB	±2.93 MHz	< 1.62 dB < 1.73 dB		
WB Insertion Loss ⁽⁴⁾	< 0.10 dB		< 0.10 dB		< 0.10 dB	
Selectivity	C.F. ± 4.2 MHz	> 13 dB	C.F. ± 3.5 MHz	> 15 dB	C.F. ± 3.15 MHz	> 14 dB
	C.F. ± 6.0 MHz	> 26 dB	C.F. ± 6.0 MHz	> 45 dB	C.F. ± 4.5 MHz	> 23 dB
	C.F. ± 12.0 MHz	> 51 dB	C.F. ± 9.0 MHz	> 63 dB	C.F. ± 9.0 MHz	> 55dB
Harmonic Attenuation ⁽⁶⁾	> 50 dB up to 1.4 GHz		> 50 dB up to 1.4 GHz		> 50 dB up to 1.4 GHz	
NB Return Loss / VSWR ⁽⁴⁾	> 26 dB / < 1.10		> 26 dB / < 1.10		> 26 dB / < 1.10	
WB Return Loss / VSWR ⁽⁴⁾	Single Ch.	> 30 dB / < 1.06	Single Ch.	> 30 dB / < 1.06	Single Ch.	> 30 dB / < 1.06
	All band	> 21 dB / < 1.20	All band	> 21 dB / < 1.20	All band	> 21 dB / < 1.20
Isolation Between Inputs ⁽⁴⁾	> 30 dB		> 30 dB		> 30 dB	
Group Delay Variation ⁽⁴⁾	< 520 ns		< 340 ns		< 520 ns	

⁽¹⁾ Default configuration ⁽²⁾ Other Connectors, Options, Tunings available ⁽³⁾ Altitude < 1500 m (4,900 ft.), Free air, Ambient temp. < 30 °C (86 °F) ⁽⁴⁾ Non-adjacent channels ⁽⁶⁾ Up to 3rd harmonic attenuation with LP/LC Series Lowpass Filter ⁽⁷⁾ Reduced Operating Power